

STRELA MAXI



Street IP66 luminaire with lens optics. Top quality SMD LED modules with colour consistency MacAdams 3, extensive portfolio of lumen ranges and CCTs. Standard EVG on/off or DALI driver on request. STRELA can be equipped with sensor for ambient light monitoring in standalone and connected applications. Sensors combined with DALI drivers allows to control and manage outdoor luminaires and be part of Citizen Centric Lighting concept. Standard mounting on diameter 76 mm pole, other diameters of mounting base on request. Body is made of aluminium. Standard colour RAL 7016 any other colour on request. Superior quality lens optics with wide selection of beam angles. Variety of lumen outputs and drivers allows to use this luminaire in different types of lighting projects: motorways, city roads, parks, office building surroundings, pedestrian routes, bicycle paths. Optional wall fixing base on request. Standard luminaire is not intended for use in increased corrosivity category environment, e.g. with increased salt concentration. Extra corrosion protection is available on request. Luminous flux & Luminaire Power tolerance up to 10%. System power consumption depends on components used. Luminous efficacy depends on type of LED's, electronics, optics and diffusor. The most up to date technical parameters can be found on our website and in database of LDT files.

Lighting direction



PDF datasheet:



STRELA MAXI

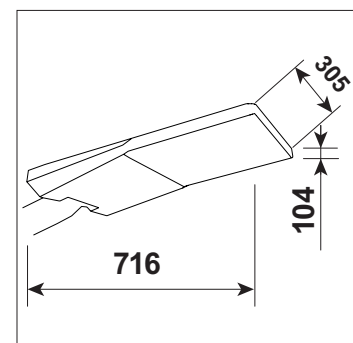
| | |
|-------------------------------------|----------------------------------------------------------------------|
| Mounting: | Pole mounting - standard 60 mm, optional 76 mm or wall mounting base |
| Body material: | Aluminium |
| Colour: | Standard anthracite grey RAL 7016, other RAL colours on request |
| Lumen output: | Standard up to 16.000 lm, any other on request |
| LED module: | Signify (Philips), Tridonic or equivalent SMD LED module |
| Colour temperature: | 3000/4000K, other on request |
| Colour Rendering: | CRI>80 in standard, other on request |
| Driver: | EVG on-off, DALI, other on request |
| Wireless control: | Tridonic - Siderea, other on request |
| Daylight/Occupancy sensor: | Tridonic - Siderea, other on request |
| Emergency unit: | N/A |
| Operating temperature range: | -30°C ... +45°C |
| IP Class: | IP66 in standard |
| Power: | 220-240V 50/60Hz |
| Lighting direction: | Direct lighting |
| Light distribution: | Symmetric/asymmetric |
| Optics: | Lens |
| Beam angle: | Wide selection of optics - please refer to our LDT database |
| Diffuser: | CG clear glass |
| Warranty: | 5 Years standard warranty |

STRELA MAXI pole mounted luminaire

All current index numbers, lumen outputs, power consumption and many other technical information are available in our 2024 pricelist.



WLB wall mounting base



Basic dimensions